

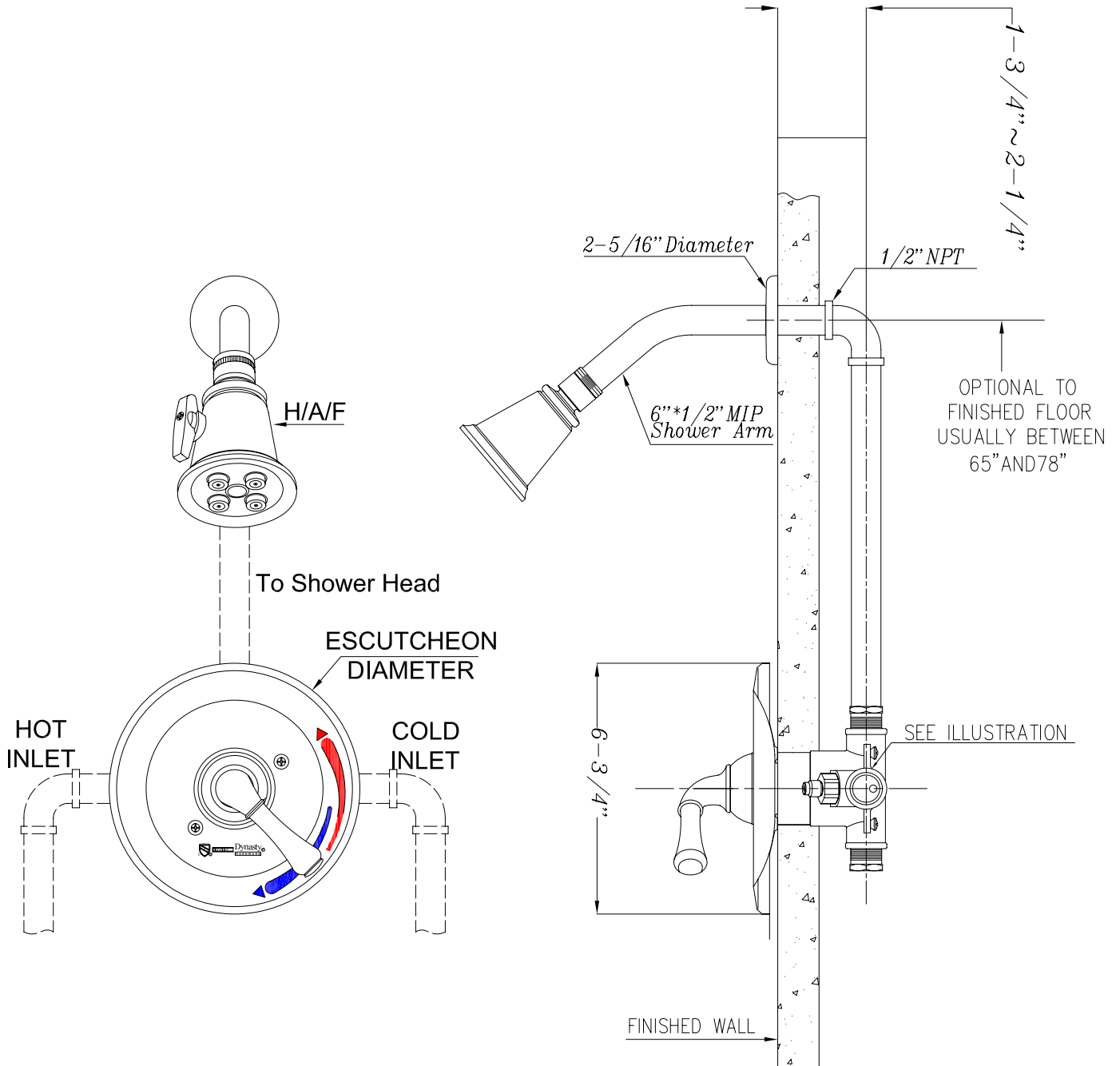
Dynasty®

HARDWARE

PRODUCT SPECIFICATION DIAGRAM

MODEL NO. DYN-S11351-XX

ALL DIMENSIONS ARE NOMINAL



FINISH OPTIONAL:

POLISHED CHROME (CP)
OIL RUBBED BRONZE (ORB)
STAIN NICKEL (SN)
POLISHED BRASS (PVD)

DYNASTY HARDWARE

12265 FOOTHILL BLVD., SYLMAR, CALIFORNIA 91342

Tel : +1-818-896-1171

Fax: +1-818-896-1172

www.dynastyhardware.com

01-20-2011